

LAP TRIGGER

OLTx

Optical Lap trigger transmitter

Description

The OLTx is a 27-LED infra-red optical transmitter unit used in telemetry and data acquisition systems.

The device continuously transmits a coded infra-red signal to trigger the OLRx on-board receiver which provides the data acquisition system with a spatial reference point.

The unit is enclosed in a watertight polycarbonate container.

Connection to an external battery (*not supplied*) is made via Deutsch IMC100 4 pin.



Main Features

- IR optical transmitter
- Coded binary sequence (team-code) modulator
- Led indicator function

Benefits

- Light, compact, robust design
- CAN code programmable

Typical Applications

MotoGP

Professional circuit and rally applications

Race motorcycle application

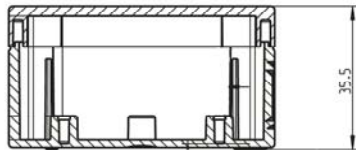
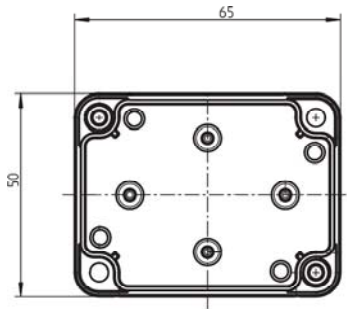
Touring car

LAP TRIGGER

OLTx

Optical Lap trigger transmitter

Dimensions



Dimensions in millimetres

Technical Characteristics

Range 1 to 25 m
 Cone angle @ distance x See Fig.1
 Power supply (V DC) 10 to 15 V
 Current @ 13.2 V
 power 250 mA
 Protection polarity inversion
 Ambient operating temperature -20 to 85 °C
 Battery connector IMC14-2204X
 Container sealed polycarbonate
 Mating connector (on request) IMC16-2204X
 Cable length 1 m
 Dimensions (approx.) 65 x 50 x 35.5 mm
 Weight 75 g

Detection angle

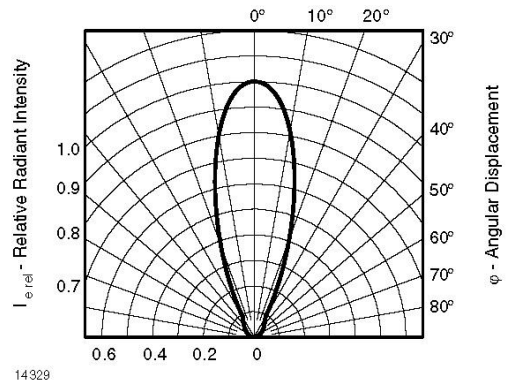


Fig. 1 – Relative Radiant Intensity vs Angular Displacement

Connector Pin Out

Transmitter OLTx		
Pin	Name	Description
1	VBatt	+ 12 Volt
2	CAN H	Reserved MM
3	CAN L	Reserved MM
4	GND	Ground

For further information, please contact:



Magneti Marelli S.p.A.
 Motorsport
 Viale Aldo Borletti, 61/63
 20011 Corbetta (Milano) Italy

Tel. +39 02 972 27 478
 Fax +39 02 972 27 570
 sales@magnetimarelli.com
 http://www.magnetimarelli.com

May 2011
 rel. 07
 page 2 of 2